



## SAFETY RULES & REGULATIONS

- Obey ALL Signs
- IANA Registered CDL Required
- No Passengers
- Cell Phone Use in Designated Area Only
- Closed-toed Shoes Required
- Use Headlights and Flashers
- Seatbelts Required
- Turn Off Engines at Gate or When Exiting the Vehicle at All Times
- Remove Zip Ties and Place in Trash
- Ensure Tracks Are Clear Prior to Crossing
- No Pull Through Parking
- Perform Tug Test
- Yield to All Ramp Equipment

Knowledge of CSXIT Rules and Regulations are the responsibility of each individual drayman. Copies of the CSXIT Drayman Safety Handbook, CSXIT Safety Rulebook are available on [www.csxintermodalterminals.com](http://www.csxintermodalterminals.com) or upon request at the terminal.

## KEY ACTIONS FOR SUCCESS

### PRE-ARRIVAL

- Verify CDL credentials
- Register in the IANA/UIIA Intermodal Driver Database – [uiia.org](http://uiia.org)
- Verify billing – [ShipCSX.com](http://ShipCSX.com)
- Review Drayman Safety Brief and Handbook – [csxintermodalterminals.com](http://csxintermodalterminals.com)

### IN-GATE

- Turn off engine
- Present CDL
- Provide Seal and Booking Numbers as applicable
- Prepare for In-Gate Inspection
- Follow directions on J1/Mission Ticket or as provided by terminal personnel

### OUT-GATE

- Provide CDL and Seal/Equipment Numbers if requested

### ROADABILITY

- All bad order equipment will be directed to Roadability

### DRAYMAN ASSISTANCE

- Draymen who require assistance will park in the Driver Assistance area and report to the Driver Assistance window

## CONTACT INFORMATION

Check billing, storage and container locations on [ShipCSX.com](http://ShipCSX.com)

For more information, call 800-542-2754, option 2 to speak with a Customer Service Representative.

**CSX** INTERMODAL  
TERMINALS

[csxintermodalterminals.com](http://csxintermodalterminals.com)

4801 Keith Avenue | Baltimore, MD 21224

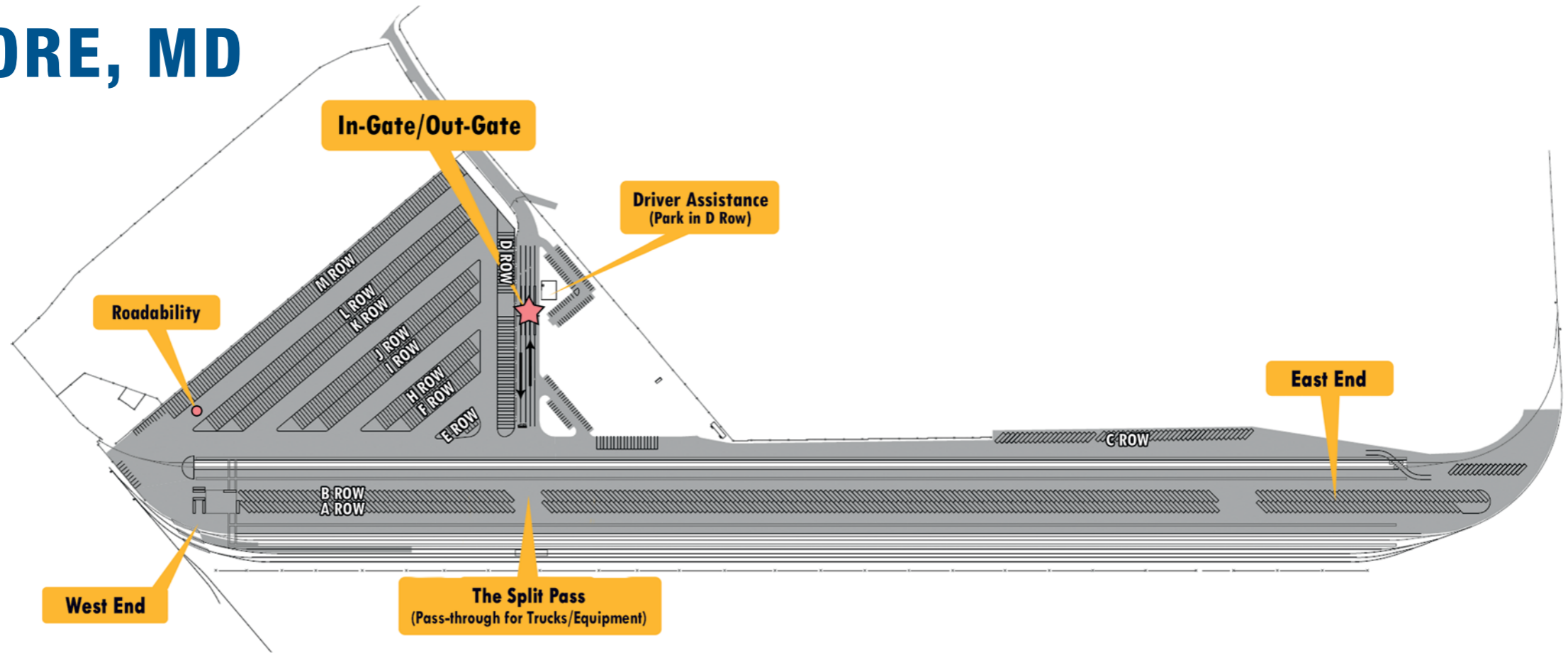
# BALTIMORE DRAYMAN GUIDE



**CSX** INTERMODAL  
TERMINALS

# BALTIMORE, MD

4801 Keith Avenue



## TERMINAL-SPECIFIC PROCESSES

### SAFETY RULES

- Do not park containers in the chassis lot; all containers go in J, K, L and M rows

### IN-GATE

- All bobtail draymen must stop at the talkback speakers and confirm unit availability with gate personnel
- All draymen in-gating a container or trailer will complete their transaction at the inspection area when staffed M-F 0700-2300

### LIVE LIFT PROCESS

- Lift tickets are required
- No container will be live lifted without payment
- Draymen are to remain in their cabs at all times during live lifting

### OUT-GATE ROADABILITY

- Draymen must turn off engine before repairs begin
- Draymen must remain in their vehicles during roadability repairs
- Draymen must collect all necessary information (container number, chassis number, seal number) prior to out-gating

### DRAYMAN ASSISTANCE/COMMUNICATION

- Report issues at the ramp office